

## High-performance ABS Digimatic Indicators ID-C/ID-F

Small Tool Instruments  
and Data Management

DIGIMATIC S1

NEW  
Products



ID-C Series



ID-F Series

High-performance  
ABS Digimatic  
Indicator

# ID-C/ID-F



New-generation ID series making measurement operations smoother and enhancing production quality

Bidirectional serial communication that helps increase work efficiency

Meeting the need for more precise measurements

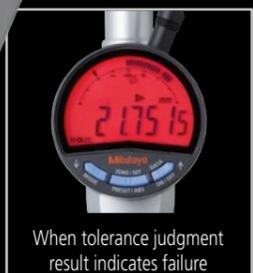
A wide range of support functions for smoother measurement work



ID-C Series



ID-F Series



When tolerance judgment result indicates failure

\*The ID-C series does not have illuminated backlighting.

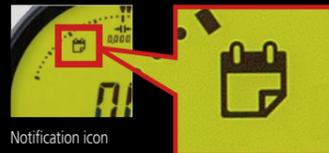
Enabling more precise measurement  
**0.5 μm resolution**

The ID-C and ID-F ranges now include models with 0.0005 mm resolution. The units are also capable of resolution switching.\*  
\*Except for the ID-C 0.01 mm resolution model



Avoid missing a pending calibration  
**Calibration period notification function**

The LCD displays an icon to notify the user when the set calibration time approaches. This facilitates the proper precision management of ID-C/ID-F.

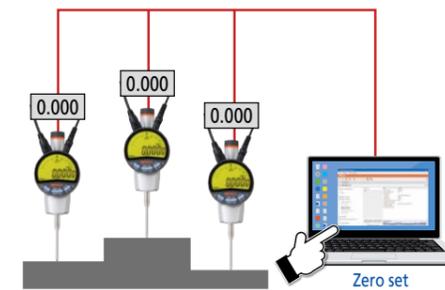


Notification icon  
The calibration period notification icon starts blinking at a set time before calibration is due (e.g. 1 week before the calibration date). If the deadline is exceeded, the entire screen starts blinking to notify the user.

The first Mitutoyo measuring tools to support bidirectional serial communication. Dramatically improve work efficiency by connecting and linking with a PC.

The ID-C/ID-F units are Mitutoyo's first measuring tools to support bidirectional serial communication.\* They can be easily connected and linked with a PC via a USB input tool, etc., and in addition to conventional measurement data collection, they also enable control and setting of the ID-C/ID-F units, collection of gauge information, and other operations to be performed in batch from the PC. This contributes to drastic improvement in work efficiency.

\*Achieved through I/F compatible with an original bidirectional serial communication specification (Digimatic S1). ▶ See P.6 for details.  
● An optional cable and measurement data input unit are required for bidirectional serial communication. ● USB-ITPAK V3.0 must be installed on the PC used for communication.

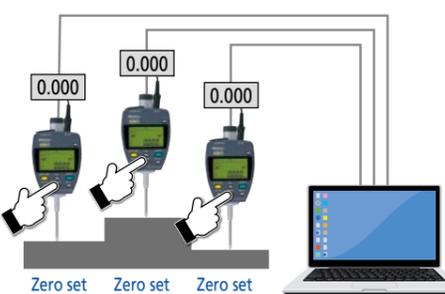


**Function example (1)**  
Control of ID-C/ID-F from PC  
**New model**  
(ID-C/ID-F + USB-ITPAK V3.0)

- Batch zero setting and power ON/OFF operation, etc. of multiple ID-C/ID-F units is made possible by use of the dedicated software "USB-ITPAK."

**Function example (2)**  
Measuring instrument setting  
**New model**  
(ID-C/ID-F + USB-ITPAK V3.0)

- Various functions of ID-C/ID-F units can be set from USB-ITPAK.
  - The contents of various function settings can be saved on a PC, and the same settings can be copied to other ID-C/ID-F units.
- ➔ Reduced work time for setting



**Old model**  
(Old ID-C/ID-F + USB-ITPAK V2.1)

- For older ID-C/ID-F units that do not support bidirectional serial communication, zero setting must be performed individually on each unit.

**Old model**  
(Old ID-C/ID-F + USB-ITPAK V2.1)

- Since bidirectional serial communication is not supported, function setting from a PC is not possible.

Improved work efficiency thanks to excellent readability  
**Large screen and analog bar**

The units have large screens that can display various information in an easy-to-read manner. They also have an analog bar, convenient for observing subtle movements such as the approach to tolerance.



Setting of frequently used functions for easy operation  
**Three large buttons**

Ease of use is greatly improved by three large buttons. You can freely set any frequently used functions to these buttons.



- 1 Parameter setting mode**
  - Counting direction switching
  - Tolerance judgment function setting
  - Calculation function setting
  - Resolution switching
  - Function lock setting
- 2 Switching between ABS length measurement system (presetting) and INC length measurement system (zero setting)**
- 3 Power ON/OFF**
  - Data output (when connected to an external device)
  - Data hold (when not connected to an external device)

Improved measurement work efficiency  
**Simple calculation function**

The result of the spindle movement value multiplied by the calculation coefficient can be displayed in real time. This reduces the work of measuring with a jig or similar tool.

$$f(x) = Ax$$

f(x): Displayed value  
x: Spindle movement value  
A: Selected value

ID-C Series



543-700  
ID-C0512NX



543-702B  
ID-C0512ENXB



543-710B  
ID-C1012NXB



543-717  
ID-C1012CENX



543-720B  
ID-C0525NXB



543-722B  
ID-C0525ENXB



543-730B  
ID-C0550NXB



543-737B  
ID-C1050ENXB

SPECIFICATIONS

Metric

ISO/JIS type ASME/ANSI /AGD type

Order No.		Range (mm)	Resolution (mm)	Maximum permissible error MPE <sup>*1</sup> (mm)			Measuring force MPL (N)	Interface	Net mass(g)	
w/ lug	Flat back			MPE <sub>E</sub> <sup>*3</sup>	Hysteresis MPE <sub>H</sub>	Repeatability MPE <sub>R</sub>			W/lug	Flat back
543-700	543-700B	12.7	0.0005/0.001/0.01(selectable)	0.003	0.002	0.002	1.5 or less	d1/d2/S1	175	165
543-705 <sup>*2</sup>	543-705B <sup>*2</sup>						0.4 to 0.7	d1/d2/S1	170	160
—	543-720B						1.8 or less	d1/d2/S1	—	195
—	543-730B	50.8		0.005			2.3 or less	d1/d2/S1	—	260
543-710	543-710B	12.7	0.01	0.02	0.02	0.01	0.9 or less	d1/S1	170	160
543-715 <sup>*2</sup>	543-715B <sup>*2</sup>						0.2 to 0.5	d1/S1	165	155
—	543-725B						1.8 or less	d1/S1	—	190
—	543-735B	50.8		0.04			2.3 or less	d1/S1	—	245

\*1 These values apply at 20 °C.  
\*2 Low measuring force  
\*3 Error of indication for the total measuring range

Inch/Metric

Order No.		Range	Resolution	Maximum permissible error MPE <sup>*1</sup>			Measuring force MPL (N)	Interface	Net mass(g)	
w/ lug	Flat back			MPE <sub>E</sub> <sup>*3</sup>	Hysteresis MPE <sub>H</sub>	Repeatability MPE <sub>R</sub>			W/lug	Flat back
543-701	543-701B	0.5 in/ 12.7 mm	0.00002/0.00005/ 0.0001/0.0005 in 0.0005/ 0.001/0.01 mm (selectable)	±0.00012 in/ 0.003 mm	0.00008 in/ 0.002 mm	0.00008 in/ 0.002 mm	1.5 or less	d1/d2/S1	175	165
543-702	543-702B						1.5 or less	d1/d2/S1	195	165
543-706 <sup>*2</sup>	543-706B <sup>*2</sup>						0.4 to 0.7	d1/d2/S1	170	160
543-707 <sup>*2</sup>	543-707B <sup>*2</sup>	1 in/ 25.4 mm					0.4 to 0.7	d1/d2/S1	190	160
—	543-721B						1.8 or less	d1/d2/S1	—	195
—	543-722B						1.8 or less	d1/d2/S1	—	195
—	543-731B	2 in/ 50.8 mm		±0.0002 in/ 0.005 mm			2.3 or less	d1/d2/S1	—	260
—	543-732B						2.3 or less	d1/d2/S1	—	260
543-711	543-711B						0.5 in/ 12.7 mm	0.0005 in/ 0.01 mm	±0.001 in/ 0.02 mm	0.001 in/ 0.02 mm
543-712	543-712B	0.9 or less	d1/S1	190	160					
543-716 <sup>*2</sup>	543-716B <sup>*2</sup>	0.2 to 0.5	d1/S1	165	155					
543-717 <sup>*2</sup>	543-717B <sup>*2</sup>	1 in/ 25.4 mm					0.2 to 0.5	d1/S1	185	155
—	543-726B						1.8 or less	d1/S1	—	190
—	543-727B						1.8 or less	d1/S1	—	190
—	543-736B	2 in/ 50.8 mm		±0.0015 in/ 0.04 mm			2.3 or less	d1/S1	—	245
—	543-737B						2.3 or less	d1/S1	—	245

\*1 These values apply at 20 °C.  
\*2 Low measuring force  
\*3 Error of indication for the total measuring range

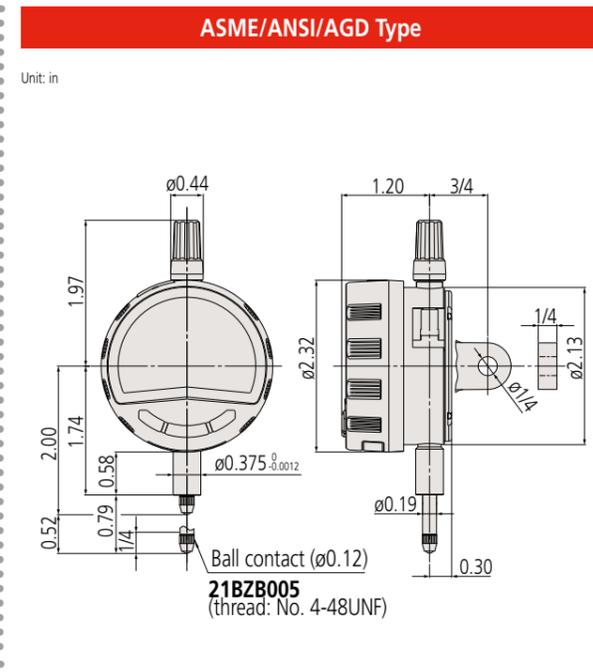
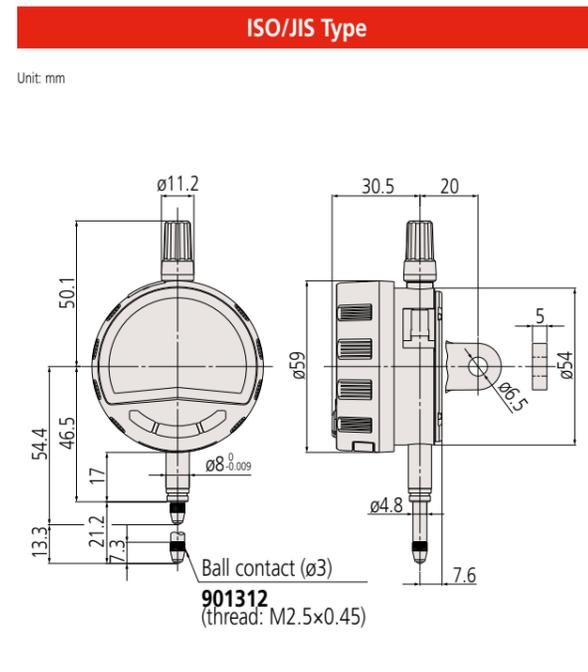
Common Specifications

	12.7 mm/0.5 in models	Low measuring force models <sup>*1</sup>	25.4 mm/1 in, 50.8 mm/2 in models
Display	7 segments height: 11.0 mm, Analog bar (±20 scale)		
Display rotation	330 °		
Protection level <sup>*2</sup>	Equivalent to IP-42		
Possible plunger direction	All directions	0.0005 mm models: Plunger downward only 0.01 mm models: Up to direction in which plunger is horizontal	Up to direction in which plunger is horizontal
Power supply	Lithium metal battery CR2032 (1pc.)		
Battery life <sup>*3</sup>	Approx. 2.5 years (normal use), Approx. 2,700 hours(continuous use)		
Detection method	Electrostatic capacitance type absolute linear encoder		
Response speed	No limit		
Errors, Alarms	Various setting errors, Sensor error, Display overflow, etc.		
Operating temperature	0 to 40 °C		
Storage temperature	-10 to 60 °C		

\*1: See the order numbers with an asterisk 2 (\*2) in the table above.  
\*2: Protection level (IP=International Protection) is based on IEC 60529/DIN40050 Part 1/JIS D0207, C0920. The levels shown are valid for factory conditions only.  
\*3: When the data processor is not connected. Battery life depends on use of the indicator. Use the above value as a guide.

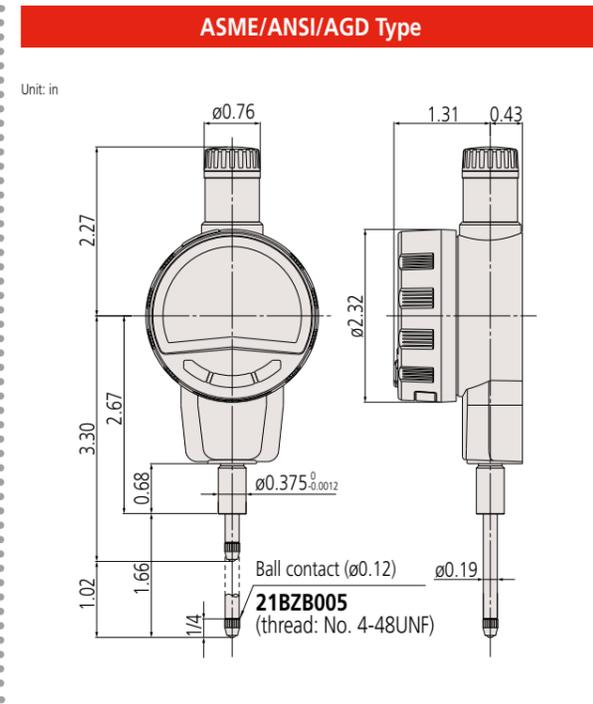
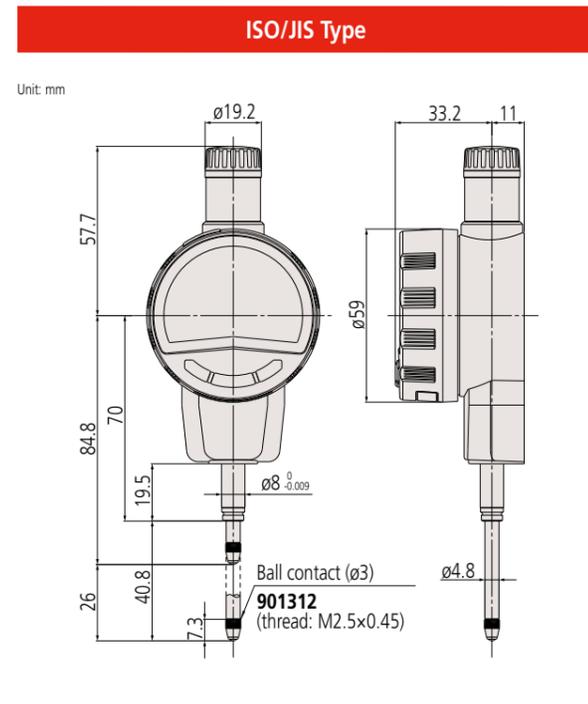
# DIMENSIONS

## 12.7 mm range models



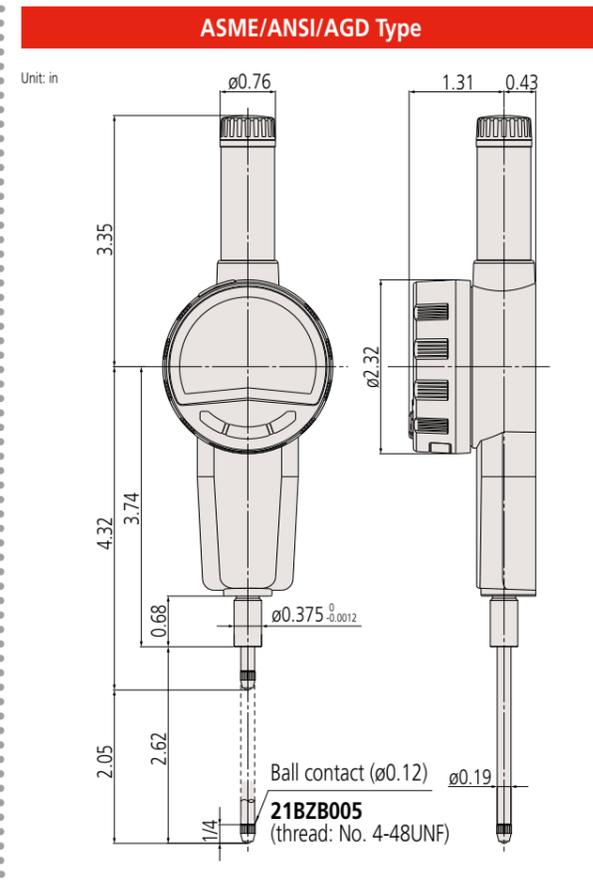
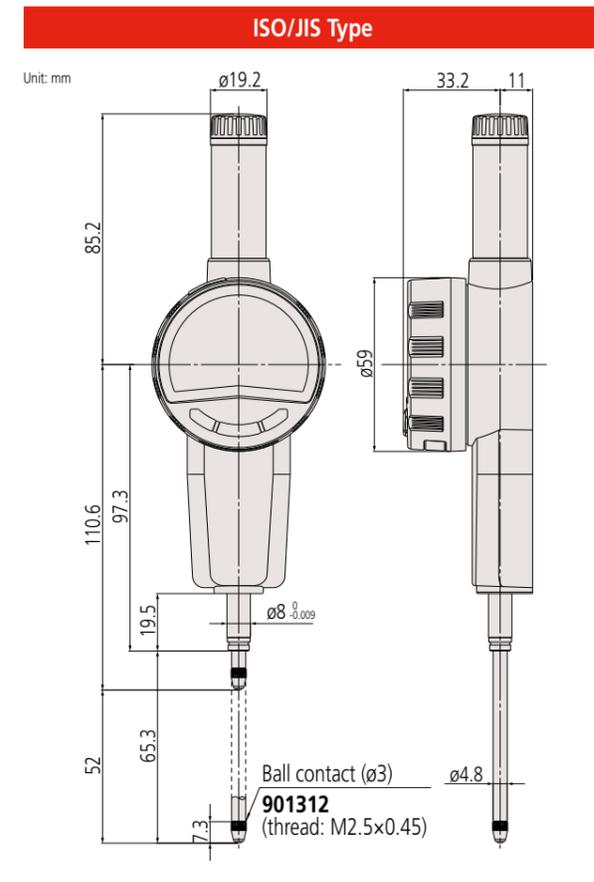
Note: Products with an Order No. suffixed "B" have a flat back, and other models have a center-lug back.

## 25.4 mm range models



Note: All products have a flat back.

## 50.8 mm range models



Note: All products have a flat back.

## Comparison of functions

	ID-C Series	ID-F Series
Preset	✓	✓
Zero set	✓	✓
Peak detection (Max, Min, TIR)	✓	✓
Unit system switching <sup>*1</sup>	✓	✓
Counting direction switching	✓	✓
Resolution selecting	✓ <sup>*2</sup>	✓
Tolerance judgment	✓	✓
Simple calculation	✓	✓
Analog bar display ON/OFF	✓	✓
Analog bar scale selecting	✓	✓
Key customize	✓	✓
Function lock	✓	✓
Calibration schedule warning function	✓	✓
Auto OFF	✓	—
Reset all settings	✓	✓

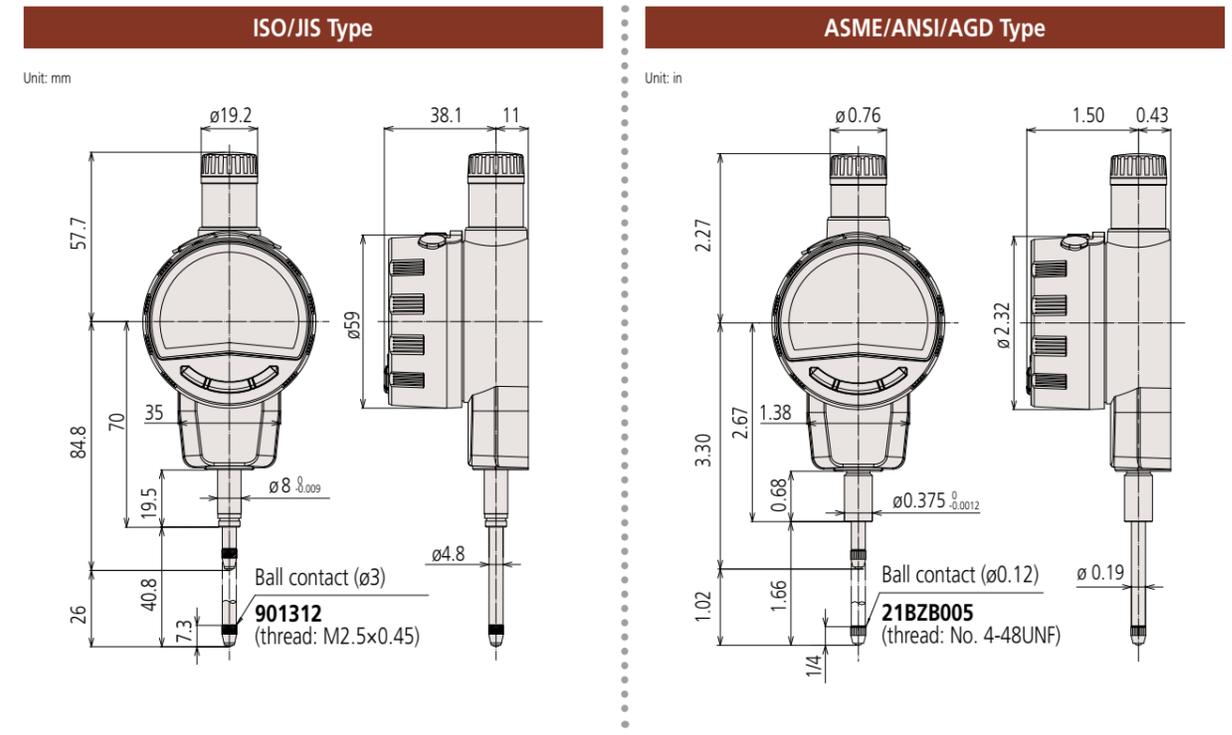
\*1: in/mm models only  
\*2: Except 0.01 mm/0.0005 in models

ID-F Series



DIMENSIONS

25.4 mm range models



SPECIFICATIONS

Metric

Order No.*1	Range (mm)	Resolution (mm)	Maximum permissible error MPE*2 (mm)			Measuring force MPL (N)	Interface	Mass (g)
			MPE <sub>E</sub> *3	Hysteresis MPE <sub>H</sub>	Repeatability MPE <sub>R</sub>			
543-851	25.4	0.0005/0.001/0.01 (selectable)	0.0025	0.002	0.002	1.8 or less	d1/d2/S1	240
543-853	50.8		0.004			2.3 or less	d1/d2/S1	330
543-857	50.7		0.003			2.3 or less	d1/d2/S1	330

Inch/Metric

Order No.*1	Range	Resolution	Maximum permissible error MPE*2			Measuring force MPL (N)	Interface	Mass (g)
			MPE <sub>E</sub> *3	Hysteresis MPE <sub>H</sub>	Repeatability MPE <sub>R</sub>			
543-852	1 in/25.4 mm	0.005/0.001/0.01 mm 0.00002/0.00005/0.0001/0.0005/0.001 in (selectable)	±0.0001 in/ 0.0025 mm	0.00008 in/ 0.002 mm	0.00008 in/ 0.002 mm	1.8 or less	d1/d2/S1	240
543-854	2 in/50.8 mm		±0.00016 in/ 0.004 mm			2.3 or less	d1/d2/S1	330
543-858			±0.00012 in/ 0.003 mm			2.3 or less	d1/d2/S1	330

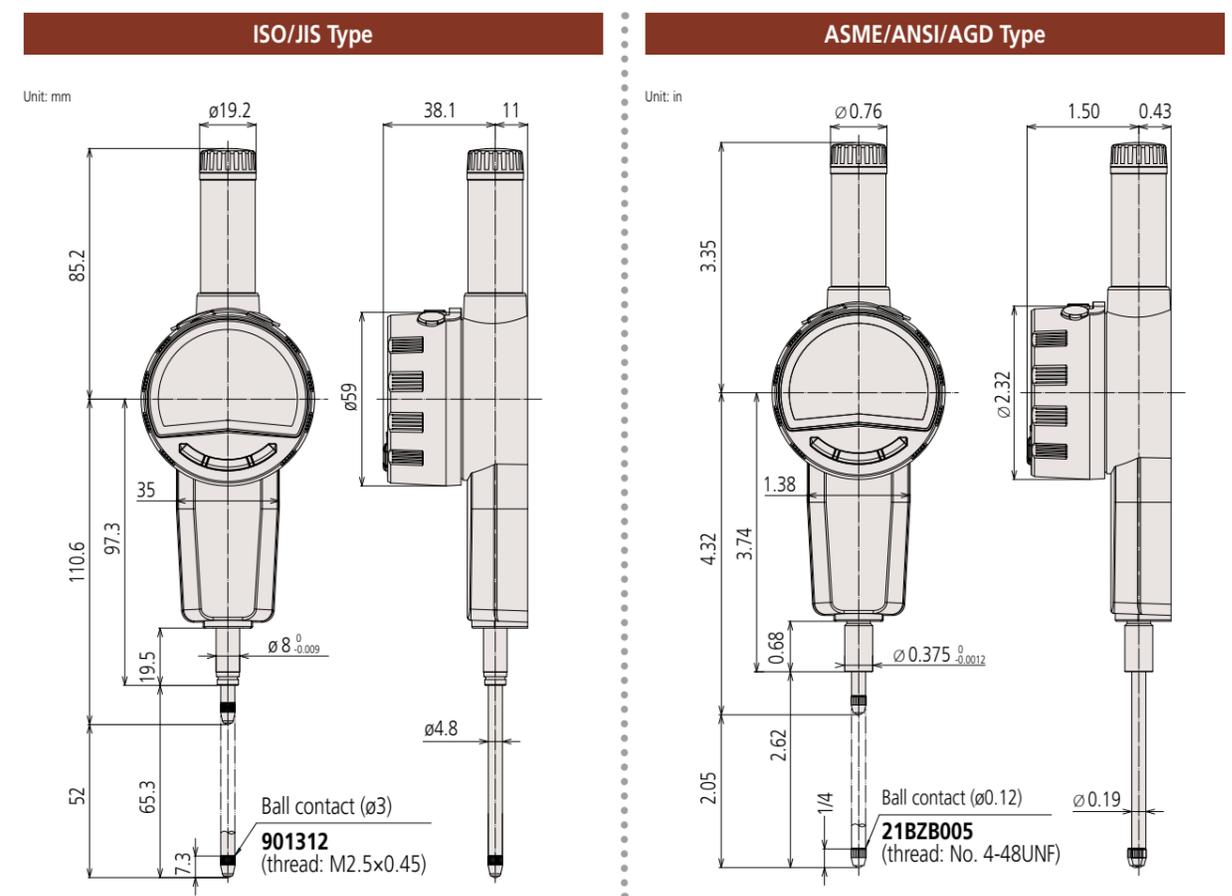
\*1 To denote your AC power cable add the following suffixes to the order No.: A for UL/CSA, D for CEE, DC for CCC, E for BS, K for KC, No suffix is required for JIS/100 V  
\*2 These values apply at 20 °C. \*3 Error of indication for the total measuring range

Common Specifications

Display	7 segments height: 11.0 mm, Analog bar (±20 scale)	Response speed	No limit
Display rotation	330 °	Errors, Alarms	Various setting errors, Sensor error, Display overflow, etc.
Protection level*1	Equivalent to IP-40	Output	d1, d2
Possible plunger direction	Up to direction in which plunger is horizontal	I/O	S1
Power supply	AC adapter (DC 5.9 V)	Operating temperature	0 to 40 °C
Detection method	Electrostatic capacitance type absolute linear encoder	Storage temperature	-10 to 60 °C

\*1: Protection level (IP=International Protection) is based on IEC 60529/DIN40050 Part 1/JIS D0207, C0920. The levels shown are valid for factory conditions only.

50.8 mm range models



# Related options

## OPTIONS

### Measurement data input unit

Can be used for both ID-C/ID-F with SPC cable.



IT-020U No.264-020

Measurement data input unit



USB-ITN-SF No.06AGQ001F

Measurement data input unit  
USB Input Tool Direct (2 m)

### Cable

SPC Cable for connecting ID-C/ID-F and IT-020U. Can be used for both ID-C/ID-F.



No.06AGL011

SPC Connection cable (1 m)



No.06AGL021

SPC Connection cable (2 m)

### U-WAVE

If using U-WAVE, please note that it does not support bidirectional serial communication.



No.02AZF700

Attachment example



Optional items such as a lifting lever can be attached while the U-WAVE-TM/TMB is in place.

Connection unit  
(For ID-C series 12.7 mm type only)



Buzzer type No.264-623  
Waterproof/dustproof type No.264-622

Transmission unit (U-WAVE-TM)



No.02AZG011

Standard U-WAVE-T dedicated connection cable

Please note that a conventional ID-C/ID-F cable cannot be used because the shape of the connector is different.

No.02AZG021

U-WAVE-T dedicated connection cable for foot switch



Buzzer type No.264-627  
Waterproof/dustproof type No.264-626

U-WAVE-TMB

### U-WAVE-TM/TMB mounting plate

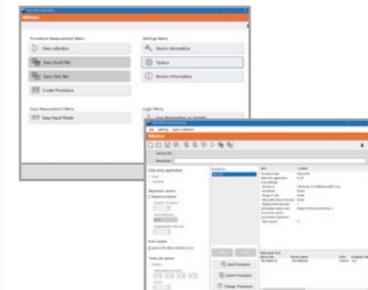


No.02AZF670

U-WAVE mounting plate



### Software



#### USB-ITPAK V3.0 full version dongle



USB dongle  
Measurement data collection software USB-ITPAK V3.0 can be downloaded from our website. The above dongle is required to use the full functions.

No.06AGR543

Measurement data collection software  
USB-ITPAK V3.0

Many other options are also available. For details, please visit our website. <https://www.mitutoyo.co.jp>

## SOFTWARE Reduces the time and effort needed for inspection work

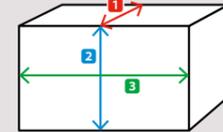
### Measurement data collection software

#### USB-ITPAK V3.0

USB-ITPAK is useful software to create procedures when inputting measurement data into Excel sheets. The latest version allows the user to perform batch power-on for ID-C/ID-F units, batch power-off at the end of measurement, batch zero setting and presetting, data acquisition instruction from a PC, etc.

#### Equipped with an automatic sorting function for sorting input measurement data [Easy input mode]

This function can be implemented even if the measuring instrument does not support bidirectional serial communication. After setting, measurement values are automatically sorted into an Excel sheet as needed.



Only the number of measurement items is preset. (Example: number of measurement items = 3)

- 1 D: 10 mm
- 2 H: 20 mm
- 3 W: 30 mm

#### With normal input (Entered into column A only.)

	A	B
1	10.11	
2	20.05	
3	29.99	
4	10.54	
5	20.45	

#### With automatic sorting function (Once entered into column A, similar data is automatically classified.)

	A	B	C	D	E
1	10.11	10.11	20.05	29.99	
2	20.05	10.54	20.45	29.5	
3	29.99	9.78	20.3	30.4	
4	10.54	9.99	20.07	30.22	
5	20.45				

#### Simplifies measuring instrument setting

Batch setting of ID-C/ID-F units can be performed from your PC. Moreover, the settings can be saved on your PC and set to other ID-C/ID-F units. You can perform settings without even touching the ID-C/ID-F units.



Symbols: ✓: Can be used only when connected with USB-ITPAK V3.0 and ID-C/ID-F;  
✓: Can be used; —: Cannot be used

#### USB-ITPAK V2.1/V3.0 Function comparison table

Operating environment and functions	Details	ITPAK		
		V2.1	V3.0 Trial version (free)	V3.0 Full version
Supported communication standard	Digimatic d1/d2		✓	
	Digimatic S1	—		✓
Compatible OS	Windows 2000 SP4, Windows XP SP2 or later, Windows Vista, Windows 7, Windows 8 / 8.1	✓		—
	Windows 10		✓	
Functions	Sequential measurement	✓	—	✓
	Batch measurement	✓	—	✓
	Individual measurement	✓	—	✓
	Simple measurement function	—		✓
	Measuring instrument setting	—		✓ <sup>1</sup>
	Measurement history	—		✓ <sup>1</sup>
	Device information	—		✓ <sup>1</sup>
	Data input into Microsoft Excel	✓	—	✓
Security	Text data input with virtual keyboard	✓	—	✓
	USB dongle for V2.1	For USB-ITPAK V2.1 (cannot be used with V3.0)	✓	N/A
	USB dongle for V3.0	Can also be used with USB-ITPAK V2.1	✓	N/A

Coordinate Measuring  
Machines

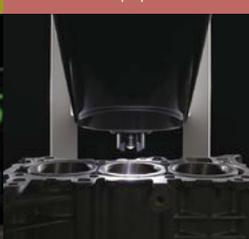
## Sensor Systems



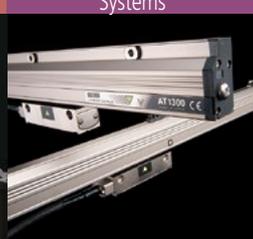
## Vision Measuring Systems



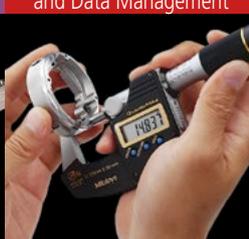
## Test Equipment



## Form Measurement

Digital Scale and DRO  
Systems

## Optical Measuring

Small Tool Instruments  
and Data Management

### Whatever your challenges are, Mitutoyo supports you from start to finish.

Mitutoyo is not only a manufacturer of top quality measuring products but one that also offers qualified support for the lifetime of the equipment, backed up by comprehensive services that ensure your staff can make the very best use of the investment.

Apart from the basics of calibration and repair, Mitutoyo offers product and metrology training, as well as IT support for the sophisticated software used in modern measuring technology. We can also design, build, test and deliver measuring solutions and even, if deemed cost-effective, take your critical measurement challenges in-house on a sub-contract basis.



Find additional product literature  
and our product catalogue

<https://www.mitutoyo.co.jp/global.html>

Our products are classified as regulated items under Japanese Foreign Exchange and Foreign Trade Law. Please consult us in advance if you wish to export our products to any other country. If the purchased product is exported, even though it is not a regulated item (Catch-All controls item), the customer service available for that product may be affected. If you have any questions, please consult your local Mitutoyo sales office.

Note: Product illustrations are without obligation. Product descriptions, in particular any and all technical specifications, are only binding when explicitly agreed upon. MITUTOYO and MICAT are either registered trademarks or trademarks of Mitutoyo Corp. in Japan and/or other countries/regions. Other product, company and brand names mentioned herein are for identification purposes only and may be the trademarks of their respective holders.

# Mitutoyo

## Mitutoyo Corporation

20-1, Sakado 1-Chome,  
Takatsu-ku, Kawasaki-shi,  
Kanagawa 213-8533, Japan  
T +81 (0) 44 813-8230  
F +81 (0) 44 813-8231  
<https://www.mitutoyo.co.jp>