

Height Gauges

SERIES 570 – ABSOLUTE Digimatic Ergonomic Height Gauge

- Allows smooth elevation by the slider adjustment wheel, which is the same type used on the well-established double-column height gauge.
- Large slider-clamp lever ensures positive and accurate clamping action.
- Character height of the LCD display is 10 mm.
- Due to the built-in ABSOLUTE scale function, origin setting is not required each time power is turned ON.
- Ergonomic and stylish base fits comfortably in the hand.
- Allows integration into statistical process control and measurement systems.
- High durability and high accuracy are ensured by an improved column design (35 x 15 mm).

MeasurLink[®] ENABLED
Data Management Software by Mitutoyo

ABSOLUTE

570-312



Slider height adjustment wheel.



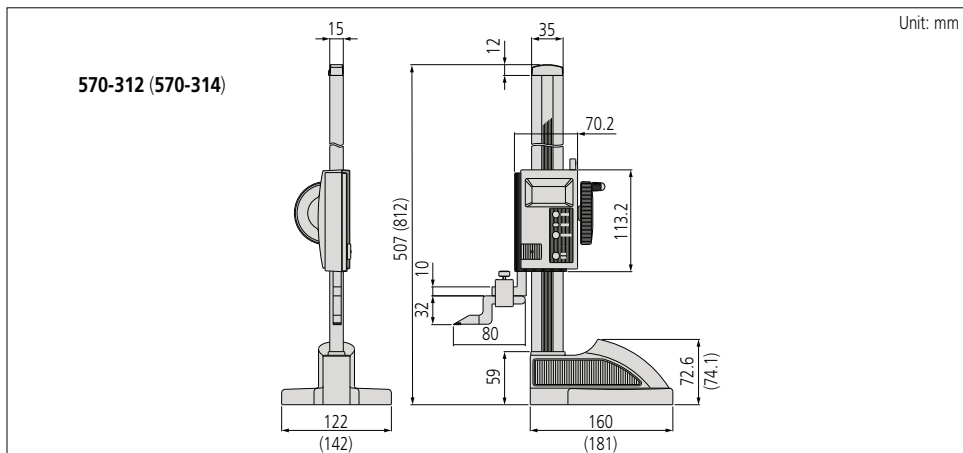
Large clamp lever.

Specifications

Inch/Metric						
Code No.	Range	Accuracy*	Resolution	Height	Mass	
570-312	0 - 300 mm (0 - 12")	±0.03 mm (±.0015")	0.01 mm (.0005")	507 mm	4.6 kg	
570-313	0 - 450 mm (0 - 18")	±0.05 mm (±.002")		662 mm	5.9 kg	
570-314	0 - 600 mm (0 - 24")			812 mm	6.4 kg	

* Excluding quantizing error.

Dimensions



Technical Data

Repeatability:	0.01 mm
Max. response speed:	Unlimited
Battery:	SR44 (1 pc.), 938882
Battery life:	20,000 hours under normal use

Functions

Origin-setting:

Any convenient reference surface, such as a surface plate, etc., can be stored as the absolute origin point.

ABSOLUTE system measurement:

After power is turned ON, measurement can be started without zero-setting if origin-setting was previously performed. The ABS (absolute) origin position can be changed by the ORIGIN button.

Incremental measurement:

Allows origin setting at any arbitrary position. In this case, the origin point is not stored after turning off the power.

Data hold:

Display value can be held.

Data output:

Allows integration into statistical process control and measurement systems.

Low-voltage alert:

If the battery voltage becomes low, a "B" appears in the display to alert the user before measurement is no longer possible so that the battery can be changed in good time.

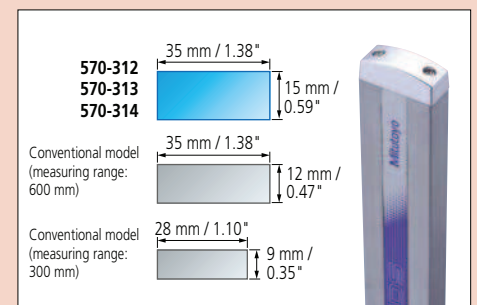
Standard Accessories

900258:	Scriber
900322:	Clamp (with dovetail groove)
901385:	Scriber clamp
953639:	Holding bar C (test indicator mount)



Optional Accessories

Code No.	Description	
905338	SPC data cable (1 m)	
905409	SPC data cable (2 m)	
02AZD790F	U-WAVE-T data cable (160 mm)	
02AZE140F	U-WAVE-T data cable with footswitch (160/500 mm)	
06AFM380F	USB input tool direct USB-ITN-C (2 m)	



Dimensions of column cross section.