

# Metric Dial Indicators Series 1

## Series 1

### Compact Type 5 mm Range Small Diameter - Metric

This is a compact, dial indicator with a bezel  $\varnothing$  40 mm. It offers you the following benefits:

- It is ideal for use in applications where space is limited.



1044A(B)-60



1044A(B)  
1044A(B)-15



1044A(B)-60  
IP63



1045A(B)

### Metric

No.	Range [mm]	Range per rev.	Dial reading	Graduation [mm]	Measuring force
1044A	5	1 mm	$\pm 0-100$	0,01	0,4 - 1,4 N
1044AB	5	1 mm	$\pm 0-100$	0,01	0,4 - 1,4 N
1044A-15	5	1 mm	$\pm 0-100$	0,01	0,1 - 0,4 N
1044AB-15	5	1 mm	$\pm 0-100$	0,01	0,1 - 0,4 N
1044A-60	5	1 mm	$\pm 0-100$	0,01	0,4 - 2 N
1044AB-60	5	1 mm	$\pm 0-100$	0,01	0,4 - 2 N
1045A	5	1mm	0-50-0	0,01	0,4 - 1,4 N
1045AB	5	1 mm	0-50-0	0,01	0,4 - 1,4 N

1044A(B)-15: Low measuring force model. Use in vertical position only (contact point downward)

B-type delivered with flat back plate

No.	MPE any 1/10 revolution [ $\mu$ m]	MPE any 1/2 revolution [ $\mu$ m]	MPE any 1 revolution [ $\mu$ m]	MPE measuring range [ $\mu$ m]	H MPE (Hysteresis) [ $\mu$ m]	R MPE (Repeatability) [ $\mu$ m]
1044A	5	9	10	12	3	3
1044AB	5	9	10	12	3	3
1044A-15	5	9	10	12	3	3
1044AB-15	5	9	10	12	3	3
1044A-60	5	9	10	12	3	3
1044AB-60	5	9	10	12	3	3
1045A	5	9	10	12	3	3
1045AB	5	9	10	12	3	3

No.	Mass [g]	A [mm]	B [mm]	C [mm]	D [mm]	E [mm]	F [mm]	G [mm]	H [mm]	I [mm]
1044A	90	32,5	47,5	40	15	20	13,8	13,7	38	6,6
1044AB	70	32,5	47,5	40	15	20	13,8	13,7	38	6,6
1044A-15	90	32,5	47,5	40	15	20	13,8	13,7	38	6,6
1044AB-15	70	32,5	47,5	40	15	20	13,8	13,7	38	6,6
1044A-60	90	32,5	57	40	15	20	12,2	24,8	38	6,6
1044AB-60	70	32,5	57	40	15	20	12,2	24,8	38	6,6
1045A	90	32,5	47,5	40	15	20	13,8	13,7	38	6,6
1045AB	70	32,5	47,5	40	15	20	13,8	13,7	38	6,6

		Series 1					
		1044A 1044AB	1044A-60 1044AB-60	1044A-15 1044AB-15	1045A 1045AB		
Functions							
	Balanced dial						
	Continuous dial						
	Jeweled bearing						
	IP63						

### Optional accessories

No.	Description
21AAB363	Limit Hands (Green) 2 pcs., Dial Indicator Series 1, Test Indicator
21RZA149	Bezel Clamp for Dial Gauge, Series 1
902100	Spindle Lifting Lever, for S-Type and A-Type Series 1
21JZA295	Spindle Lifting Cable, for Indicator, L=500 mm
21JZA301	Spindle Lifting Cable with Auto Stop, for Indicator, L=300 mm

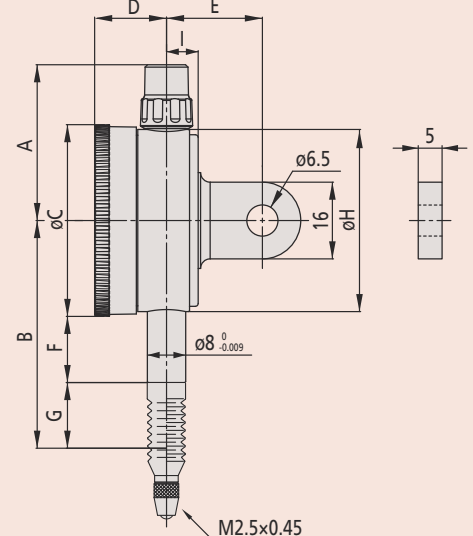
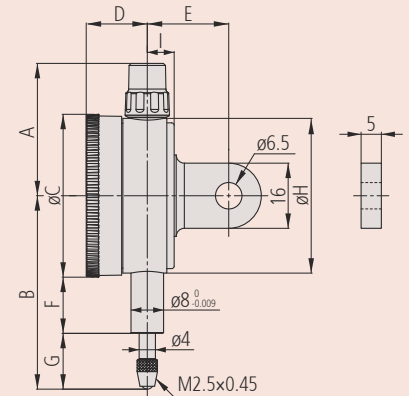
### Consumable spares

No.	Description
901312	Contact Element Ball Point, M2,5x0,45, 7,3 mm Length, Carbide, Metric
21AAB562	NBR Rubber Boot, Digital Gauge ID-B, Dial Gauge IP63/IP64

21AAB562: for 1044A(B)-60 (IP model)

21JZA295 and 21JZA301: not for IP63 type

For accessories and contact points, see end of dial indicators section.



1044A(B)-60