

OPTIONS

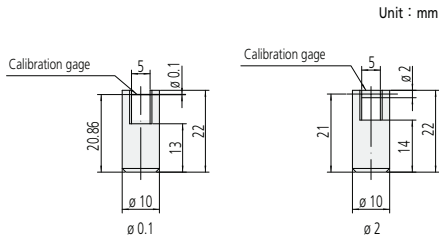
Standard calibration gage set

These gages are standard for calibrating laser scan micrometers. Each gage indicates the calibrated dimension at a specific point. The calibration focuses on one direction at that marked point.

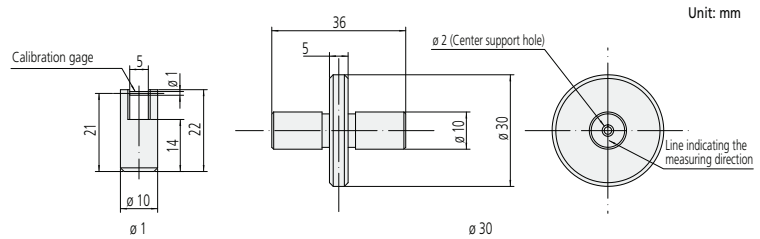
For calibrating models		LSM-02-A	LSM-30-A
Set No.		02AGD110	02AGD130
Configuration (Code No.)	Stand	02AGD111	02AGD131
	Gages	ø0.1: 958200 ø2 : 958202	ø1 : 02AGD920 ø30: 02AGD961
	Carrying case	958203	02AGD980



LSM-02-A



LSM-30-A



Wire guiding pulley

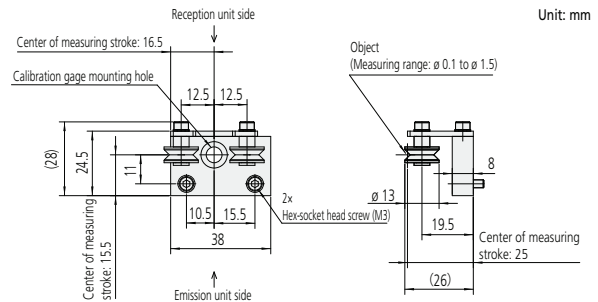
Designed to support measuring the outer diameter of fine wire-like materials like magnetic wire or fiber. Measuring range as follows:

Model	LSM-02-A
Code No.	02AGD200

LSM-02-A: ø 0.1 mm to ø 1.5 mm

For workpieces smaller than ø0.1 mm or larger than ø1.5 mm, please consult our sales or customer service representatives. For LSM-02-A calibration, use the calibration gage set (02AGD110) if necessary.

Use a calibration gage set (02AGD110) for LSM-02-A for any workpiece if calibration is necessary.



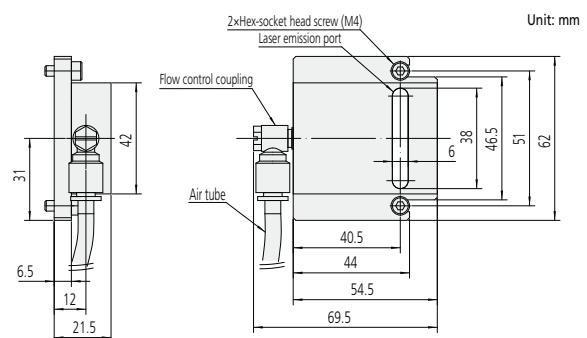
Air shield

Prevents emitter and receiver windows from becoming obscured by smoke or dust. Clean air is blown from air outlets at the emitter and receiver.

Note: A 5 m air tube (ø6 mm outer diameter) is included with the air shield.

Model	LSM-30-A
Code No.	02AGQ450

Note: A 5 m air tube (with ø6 mm outer diameter) is included with the air shield.



Laser beam stabilization shield

Suppresses variations in measured values due to spatial fluctuations in the measurement environment.

Model	LSM-30-A
Code No.	02AGQ452

