

Metric Dial Indicators with Large Dial Face Series 3

Series 3

This is a standard dial indicator. It offers you the following benefits:

- Large-diameter dial face $\varnothing = 78 \text{ mm}$ for easy reading
- 0,01 / 0,001 mm graduation



3046A(B)



3047A(B)



3050A(B)



3052A(B)-19



3058A(B)-19



3060A(B)-19



3062A(B)-19



3109A(B)-10

		Series 3										
		3046A	3046AB	3050A	3050AB	3052A-19 up to 3062AB-19	3058A-19	3058AB-19	3047A	3047AB	3109A-10	3109AB-10
Functions												
	Balanced dial											
	Continuous dial											
	Coaxial revolution counter											
	Cushioned end point											
	Shockproof											
	Jeweled bearing											

Optional accessories

No.	Description
21AZB195	Limit Hands (green) 2pcs, Dial Indicator Series 2/3/4
21AZB148	Bezel Clamp for Dial Gauge, Metric, Series 2/3/4

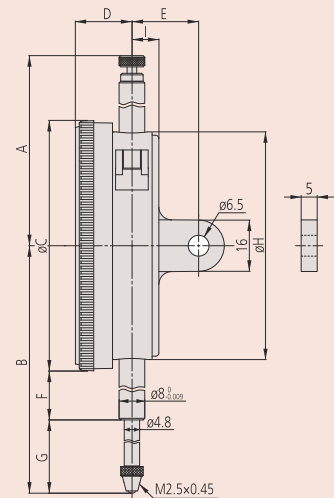
Consumable spares

No.	Description
901312	Contact Element Ball Point, M2,5x0,45, 7,3 mm Length, Carbide, Metric
21AZA319	Contact Element Ball Point, M2,5x0,45, 8,3 mm Length, Metric

901312: for 3046A(B), 3047A(B), 3050A(B), 3109A(B)

21AZA319: for 3052A(B)-19, 3058A(B)-19, 3060A(B)-19, 3062A(B)-19

For accessories and contact points, end of dial indicators section.



Metric Dial Indicators with Large Dial Face Series 3

Metric

No.	Range [mm]	Range per rev.	Dial reading	Graduation [mm]	Measuring force
3046A	10	1 mm	±0-100	0,01	0,4-1,4
3046AB	10	1 mm	±0-100	0,01	0,4-1,4
3047A	10	1 mm	0-50-0	0,01	0,4-1,4
3047AB	10	1 mm	0-50-0	0,01	0,4-1,4
3050A	20	1 mm	±0-100	0,01	0,4-2
3050AB	20	1 mm	±0-100	0,01	0,4-2
3052A-19	30	1 mm	±0-100	0,01	0,4-2,5
3052AB-19	30	1 mm	±0-100	0,01	0,4-2,5
3058A-19	50	1 mm	±0-100	0,01	0,4-3
3058AB-19	50	1 mm	±0-100	0,01	0,4-3
3060A-19	80	1 mm	±0-100	0,01	0,4-3
3060AB-19	80	1 mm	±0-100	0,01	0,4-3
3062A-19	100	1 mm	±0-100	0,01	0,4-3,5
3062AB-19	100	1 mm	±0-100	0,01	0,4-3,5
3109A-10	1	0,2 mm	0-100-0	0,001	0,4-1,5
3109AB-10	1	0,2 mm	0-100-0	0,001	0,4-1,5

3060A(B)-19 and 3062A(B)-19: use in a vertical position only

B-type delivered with flat back plate

No.	MPE any 1/10 revolution [μm]	MPE any 1/2 revolution [μm]	MPE any 1 revolution [μm]	MPE measuring range [μm]	H MPE (Hysteresis) [μm]	R MPE (Repeatability) [μm]
3046A	5	9	10	15	3	3
3046AB	5	9	10	15	3	3
3047A	5	9	10	15	3	3
3047AB	5	9	10	15	3	3
3050A	8	10	11	20	4	3
3050AB	8	10	11	20	4	3
3052A-19	10	11	12	25	5	3
3052AB-19	10	11	12	25	5	3
3058A-19	10	12	13	30	6	3
3058AB-19	10	12	13	30	6	3
3060A-19	10	14	15	45	9	3
3060AB-19	10	14	15	45	9	3
3062A-19	12	17	20	50	9	3
3062AB-19	12	17	20	50	9	3
3109A-10	2,5	4	4,5	5	2	1
3109AB-10	2,5	4	4,5	5	2	1

No.	Mass [g]	A [mm]	B [mm]	C [mm]	D [mm]	E [mm]	F [mm]	G [mm]	H [mm]	I [mm]
3046A	252	59,6	75,5	78	17,7	21	15,9	20,6	71	9
3046AB	237	59,6	75,5	78	17,7	21	15,9	20,6	71	9
3047A	252	59,6	75,5	78	17,7	21	15,9	20,6	71	9
3047AB	237	59,6	75,5	78	17,7	21	15,9	20,6	71	9
3050A	272	52,6	94	78	17,7	21	25,9	29,1	71	9
3050AB	257	52,6	94	78	17,7	21	25,9	29,1	71	9
3052A-19	285	72,9	104,3	78	17,7	21	25,9	39,4	71	9
3052AB-19	270	72,9	104,3	78	17,7	21	25,9	39,4	71	9
3058A-19	298	81,9	142,3	78	17,7	21	43,9	59,4	71	9
3058AB-19	283	81,9	142,3	78	17,7	21	43,9	59,4	71	9
3060A-19	314	120,9	202,3	78	17,7	21	73,9	89,4	71	9
3060AB-19	299	120,9	202,3	78	17,7	21	73,9	89,4	71	9
3062A-19	332	141,9	243,3	78	17,7	21	94,9	109,4	71	9
3062AB-19	317	141,9	243,3	78	17,7	21	94,9	109,4	71	9
3109A-10	270	59,6	79	78	17,7	21	15,9	14,1	71	9
3109AB-10	255	59,6	79	78	17,7	21	15,9	14,1	71	9