

QuantuMike

SERIES 293 — Coolant-proof Micrometer

FEATURES

- Faster measurement with 2mm per revolution instead of the standard 0.5mm.
- A patented ratchet thimble mechanism helps ensure repeatability.
- A function lock helps prevent error.
- IP-65 protection level.
- Certificate of inspection provided.
- With a standard bar except for 0-25mm/0-1" model.
- Supplied in fitted plastic case.



293-180-30



293-187-30

SPECIFICATIONS

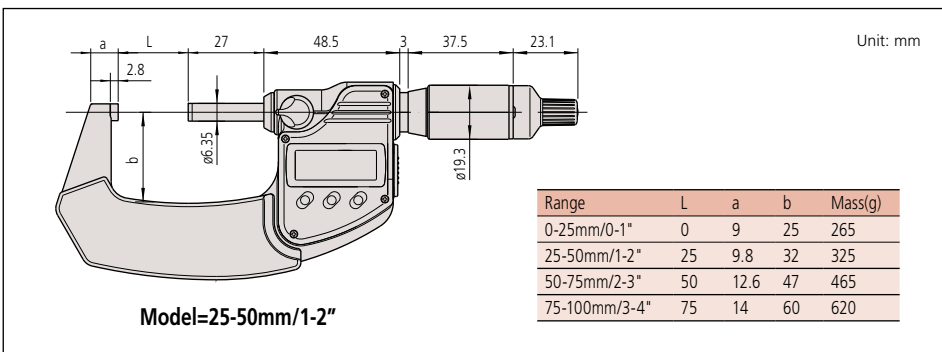
Metric			
Range	Resolution	Order No.	Accuracy
0-25mm	0.001mm	293-140-30	1µm
0-25mm	0.001mm	293-145-30*	1µm
25-50mm	0.001mm	293-141-30	1µm
25-50mm	0.001mm	293-146-30*	1µm
50-75mm	0.001mm	293-142-30	2µm
50-75mm	0.001mm	293-147-30*	2µm
75-100mm	0.001mm	293-143-30	2µm
75-100mm	0.001mm	293-148-30*	2µm

* without SPC data output

Inch/Metric			
Range	Resolution	Order No.	Accuracy
0-1" / 0 - 25.4mm	.00005" / 0.001mm	293-180-30	.00005"
0-1" / 0 - 25.4mm	.00005" / 0.001mm	293-185-30*	.00005"
1-2" / 25.4 - 50.8mm	.00005" / 0.001mm	293-181-30	.00005"
1-2" / 25.4 - 50.8mm	.00005" / 0.001mm	293-186-30*	.00005"
2-3" / 50.8 - 76.2mm	.00005" / 0.001mm	293-182-30	.0001"
2-3" / 50.8 - 76.2mm	.00005" / 0.001mm	293-187-30*	.0001"
3-4" / 76.2 - 101.6mm	.00005" / 0.001mm	293-183-30	.0001"
3-4" / 76.2 - 101.6mm	.00005" / 0.001mm	293-188-30*	.0001"

* without SPC data output

DIMENSIONS AND MASS



Certificate of inspection provided for 0-1" and 1-2" models only.

Technical Data

Accuracy: Refer to the list of specifications
 Resolution: 0.001mm or .00005" / 0.001mm
 Flatness: 0.3µm / .000012"
 Parallelism: 1µm / .00004" for models up to 50mm / 2"
 2µm / .00008" for models up to 100mm / 4"
 Measuring force: 7-12N
 Measuring faces: Carbide tipped
 Display: LCD
 Battery: SR44 (1 pc.), 938882
 Battery life: Approx. 2.4 years under normal use
 Dust/Water protection level: IP65

Function

Origin-set, Zero / ABS, Hold, Function lock, Auto power on/off, Data output (output models), inch/mm conversion (on inch/metric models only)
 Alarm: Low voltage, Counting value composition error

Optional Accessories

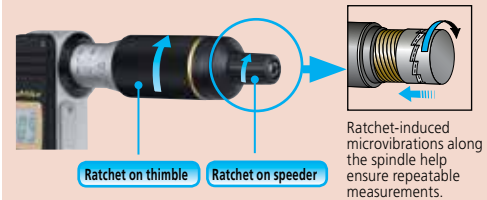
- 05CZA662: SPC cable with data switch (1m/40")
- 05CZA663: SPC cable with data switch (2m/80")



SPC cable with data switch

516-529-26 Inspection Gage Block Set
 Rectangular Steel Gage Block
 10 pc. blocks and 1 pc. optical parallel

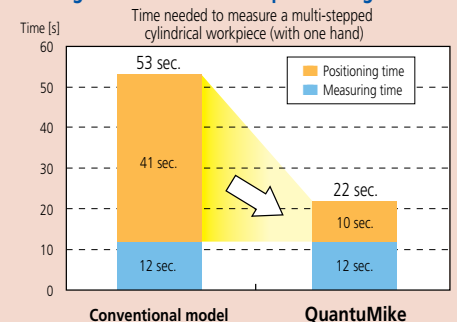
516-319-26 Inspection Gage Block Set
 Rectangular Cera Gage Block
 10 pc. blocks and 1 pc. optical parallel



Ratchet on thimble Ratchet on speeder

Ratchet-induced microvibrations along the spindle help ensure repeatable measurements.

Significant reduction in positioning time



Conventional model QuantuMike